

Zip HydroTap[®]

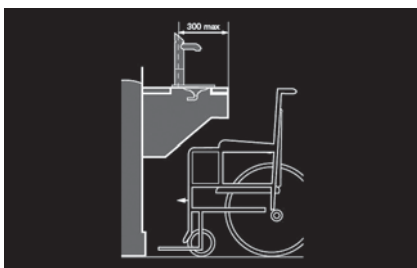
Instant Boiling Water
Under-Sink Commercial Models



Under-sink operational unit with filter compartment.



Over-sized levers available for people with restricted mobility (optional accessory).



Font installation to accommodate disabled access.



Mounted on sink

See installation instructions for full warranty details.



Boiling only model shown with optional Tap Font and 100mm extension.

Features*

- Instant boiling filtered water perfect for kitchens and office tearooms
- Unique Power-Pulse™ technology keeps operating costs to a minimum
- Two energy-saving power options can be activated to conserve money:
 1. A 24/7 programmable clock to turn the system off and on at set times
 2. A sleep mode to power system down if inactive for preset periods (2 or 4hrs)
- Safety locking mechanism can be activated against boiling water lever
- Choice of 5 micron or Sub micron filtration
- Boiling system and filter stored out-of-sight under the bench top
- Optional Tap Font Kit for installation away from the sink and caters for disabled access
- Option of over-sized levers for people with restricted mobility

Energy running costs of around 12 cents* per day if sleep mode activated. Even less using the 24/7 clock to shut the system off during periods of inactivity.



Description

- Under-sink instant boiling water at your fingertips.
- Unique Power-Pulse™ technology that ‘pulses’ only the minimal energy required to maintain optimal performance.
- Two energy efficient, power-saving timer options: sleep mode and 24/7 clock.
- LED indicators for boiling status and filter change reminder.
- Press lever for controlled dispensing, or lift lever to ‘lock on’ for filling larger vessels.
- Safety-lock requiring adult finger and thumb operation for boiling water lever.
- Additional safety lock will deactivate boiling water levers.
- Choice of 5 micron or Sub micron filtration to NSF/ANSI 42 and/or 53 industry standards.
- Open outlet, vented system designed to operate between 68°C and 99°C (factory set to 98°C).
- Built-in safe tray with leak detector will automatically isolate water supply.

Installation

A. Location

Tap should be installed to dispense into a suitable sink or on the optional Tap Font and if possible, be situated directly above the operational unit, maximum 1 metre away. Font installation may be suitable for placement over drawers and dishwashers and for disability access. Refer installation instructions for detail. Operational unit minimal clearances of 50mm left and right, 220mm above and 65mm rear.

B. Electrical

To be connected to a 10amp GPO, 220V-240V AC power supply and in accordance with AS/NZS 3350 wiring regulations.

C. Plumbing

To be installed by a qualified tradesperson in accordance with manufacturer’s instructions and AS/NZS 3500 plumbing regulations. Designed for direct connection to a potable cold water supply with minimum pressure of 70kPa; maximum 700kPa.

If static pressure exceeds 700kPa, a 500kPa pressure limiting valve must be fitted. An isolating valve should be installed between the water supply and the operational unit.

D. Caution

In some hard water areas where mineral scale accumulation may be a problem, consideration should be given to the maintenance required. A suitable form of water treatment may be necessary.

E. Accessories

- 90046 – Tap Font Kit incl. Shaft
- 90026 – 100mm Extension Shaft only
- 90651 – Auxiliary Fan with DIN plug kit
- 90681 – Aluminium ventilation grill kit
- 91241 – 5 micron replacement filter
- 91240 – Sub micron replacement filter

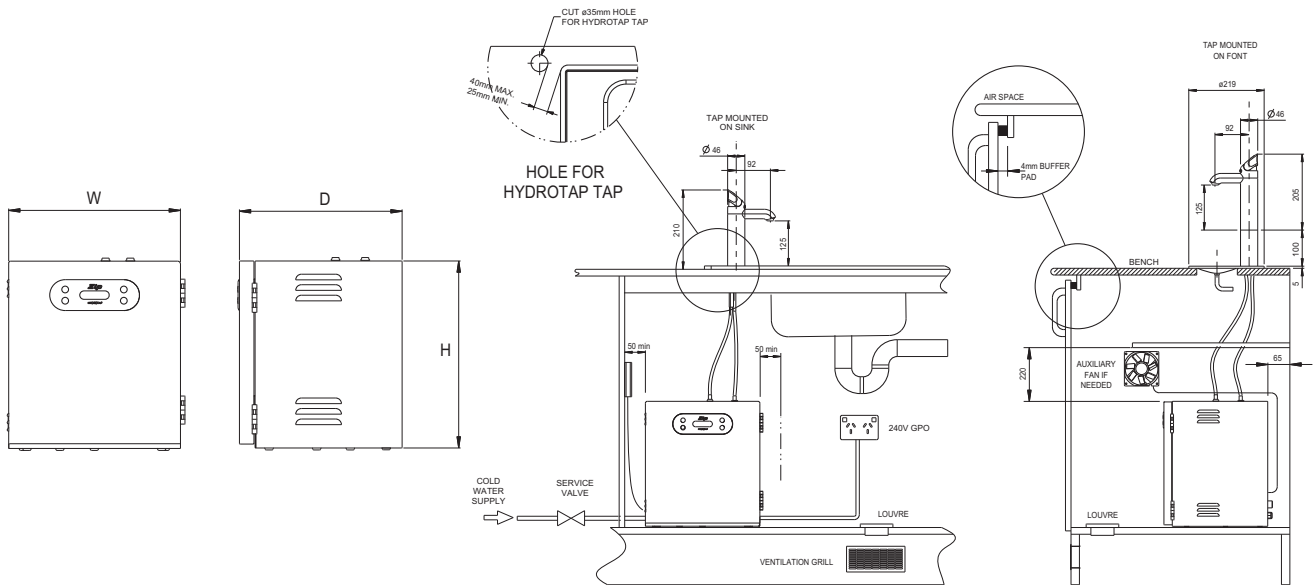
**Refer to Zip HydroTap Brochure for more information*

^Refer to Zip Energy Consumption Bulletin

Extended Warranty

2 year parts and labour warranty.

Dimensions (see table below)



Note: Under-sink tubing should be taut for proper drainage. For sink installation, 35mm diameter hole is required. For Font installation, additional 108mm diameter hole is required-hole template comes with Font accessory kit.

Product Selection Chart

Product Details	Order Codes 5 micron filter	Order Codes Sub micron filter	Recovery [^] cups p/hr	Tank capacity	Total Power Rating*	Dimensions (mm) W x D x H
B150F	38201	73171	150	5L	1.8kW	310 x 340 x 393
B100F	37201	73170	100	3L	1.5kW	280 x 323 x 337
BD150F	38206	73174	150	5L	1.8kW	310 x 340 x 393
BD100F	37206	73173	100	3L	1.5kW	280 x 323 x 337

Note: BD codes are models with disabled levers. ^ Standard cup = 167mL